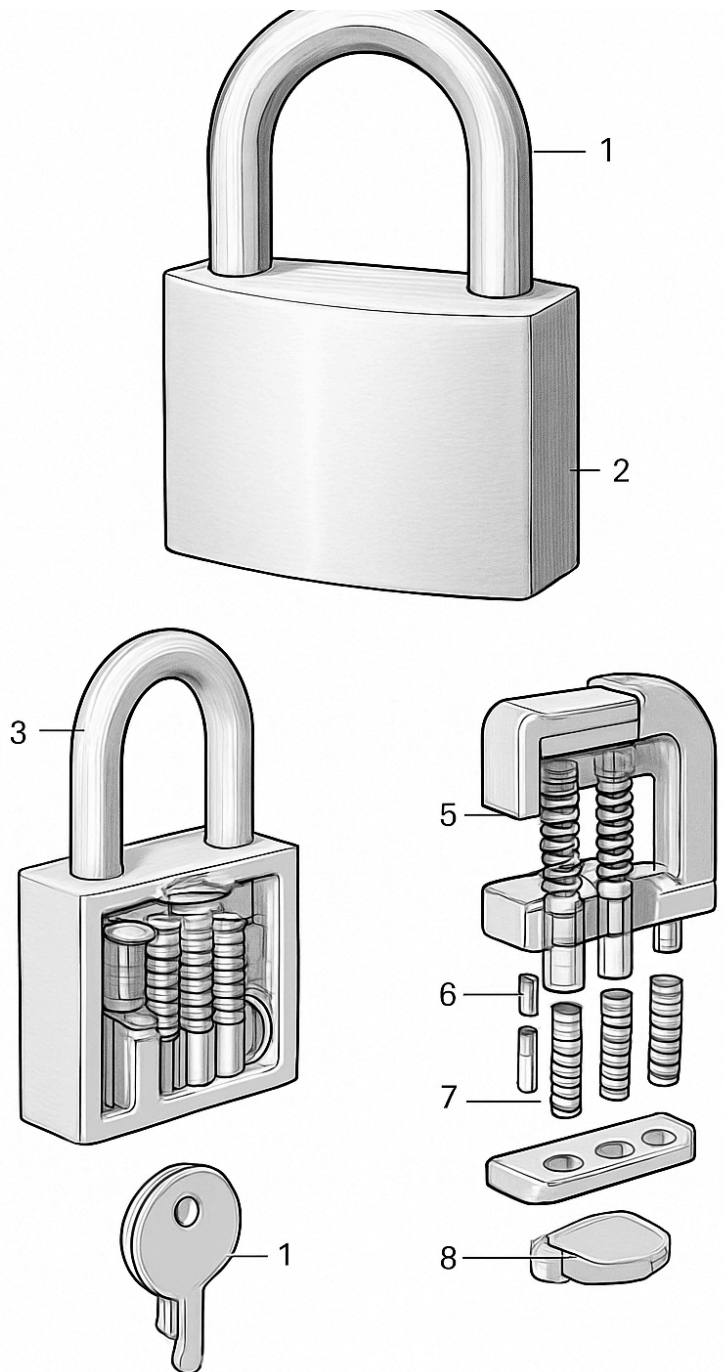


Finding an affordable locksmith when you are locked out or need a key replaced can feel urgent and confusing. This article walks through how to choose a Value Emergency Locksmith For Change Locks, what to expect from on-site service, and how to avoid common rip-offs. Expect plain language, trade-offs, and actionable options so you can decide confidently when a locksmith shows up.

Deciding between DIY fixes and calling a locksmith

If a door will not open and forcing it risks damage, contacting a mobile locksmith is the sensible first step. Amateur methods like using a screwdriver or a knife to wedge a latch frequently cause cosmetic and mechanical damage that a locksmith must fix anyway. Conversely, when the issue is a worn key or a loose cylinder, a nearby mobile locksmith can cut and program a new key on the spot at lower cost than an immediate full lock swap.



1 Shackle	3 Cylinder poss	7 Springs
2 Lack body	4 Plus	8 Carn

Realistic pricing ranges for locksmith services

Expect the initial call-out or service fee to vary, commonly in the range of \$40 to \$120 depending on time of day and distance. Labor and parts add to the base fee, so rekeying a home can run around \$70 to \$150, replacing a standard deadbolt typically costs \$100 to \$230, and unlocking a vehicle commonly costs \$60 to \$160. Transponder key replacement and key programming often add significant cost, often from about \$100 up to several hundred dollars for

luxury or newer cars. Commercial lock projects are priced differently because heavy-duty cylinders and master keying add complexity, so a business rekey or change can cost several hundred to several thousand dollars depending on scale.

How to verify a locksmith before you agree to service

Ask for the business name, an estimated price range over the phone, and whether the tech is nearby and licensed where applicable. Check whether [locksmith](#) your state or municipality requires locksmith licensing and confirm the technician meets those requirements if applicable. If a locksmith will not provide an estimate, politely hang up and call another provider because transparency about cost is a basic sign of professionalism.

Tactics that reduce cost but keep security intact

A rekey is the budget-conscious option when the metalwork is sound, because it changes who can open the lock without swapping the external hardware. If you need a full lock replacement, request a few brand and grade options and ask about warranty coverage so you can choose the best value for your budget. If the problem is an emergency late at night, consider waiting until morning if it is safe to do so because after-hours rates are often 25 to 100 percent higher.

How company type affects price and service

Franchise chains often advertise standardized pricing and supplies and may offer quick dispatch features, while independent locksmiths often deliver more flexible on-the-ground problem solving. If you need a specialty transponder key for a rare car, a chain with dealer connections could source parts faster than a solo tech with a compact inventory. Commercial jobs favor firms that will guarantee response windows and provide proof of insurance, so request those details when you call.

Red flags to watch for during the visit

Ask the technician to show company ID, a business card, and a vehicle logo if possible before you let them touch the lock. Refusal to produce identification or insistence on cash without a receipt are frequent signs of an unreliable provider, so do not allow work to start under those conditions. If the locksmith says drilling is the only way without explaining why other methods are impossible, ask for a second opinion.

Practical steps for car key replacement and programming

Listing the vehicle details and describing the missing key types up front helps the locksmith determine whether they can program a replacement on-site or need dealer tools. Some locksmiths can handle basic transponder programming on-site, while others will need to order a module or use dealer-level tools, so confirm capabilities in advance. Dealers and certified locksmiths will usually require ID and proof of ownership before cloning or programming keys, which slows the process but protects against theft.

Five things to tell or ask before you book

Give clear directions, describe your position relative to the property, and indicate whether the lockout involves a child, pet, [Great site](#) or medical urgency because those factors change priority. Ask for an arrival window, the estimated total cost range, and the technician's name and ETA so you can confirm identity when they arrive. Quick checklist: give the exact location, outline the lock problem, request a price estimate, get a name and ETA, and confirm accepted payment types.

Security scenarios that justify a full lock change

If you suspect a break-in or you lost multiple copies of a key, changing to new cylinders and keys increases security more reliably than a rekey. Replacing worn or low-grade hardware with mid- or high-grade components gives better protection and often longer life, which saves money over multiple rekeys. If you manage access for others, discuss master keying, restricted keyways, and key control policies with your locksmith to align security and daily operations.

Red flags and safe practices from field experience

If a website or ad lists a flat price for all lockouts without follow-up questions, treat that advertised rate cautiously and ask for a written estimate before work begins. Another scam is a technician who arrives and claims the lock must be drilled when picking would have worked, to justify a higher charge. Payment by traceable means with a detailed invoice protects you if the final price differs from the estimate or service was not performed as advertised.

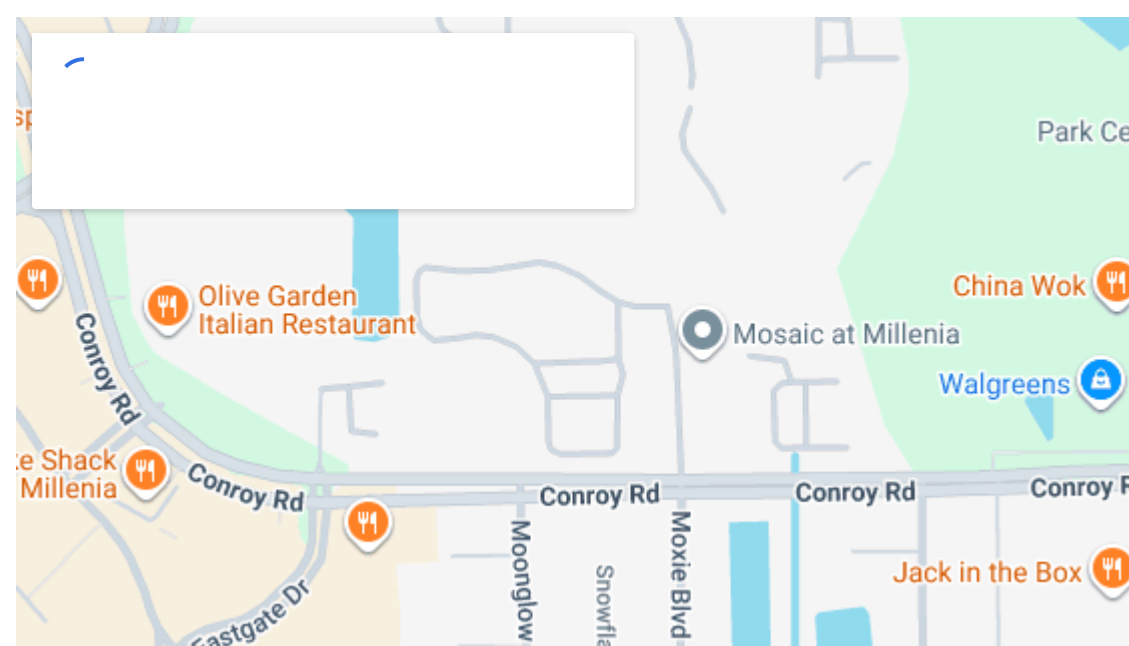
When you should consider a service contract or preferred locksmith relationship

If you manage a multi-unit property or you frequently need after-hours service, a service agreement with a local locksmith can lock in a response window and lower emergency rates. You do not need a complicated contract: a short letter or email confirming the price structure, contact point, and liability coverage is often enough for routine service. For homeowners, keeping the number of a reputable locksmith in a contact list or on a fridge avoids rushed decisions when stress is high and choices are urgent.

Final practical tips and a short emergency script for calls

When you call, be calm, give your exact location, describe the lock and the urgency, and ask for a price range and ETA before the technician leaves the shop. If a price seems extreme or the tech refuses to answer routine questions, get at least one other estimate before proceeding. Retain the invoice, the technician's name, and any warranty details because good records assist with future maintenance and prove service quality.

Apply the checklist and the verification tactics here and you will usually secure timely, reasonable locksmith service without unnecessary expense. Always weigh the immediate convenience against longer-term security; the right compromise depends on your circumstances and the lock condition. A short pre-call checklist plus one trusted provider on file will make the next lockout or key loss far less disruptive.



Locksmith in Orlando, Florida: If you're looking for a reliable locksmith in Orlando, FL, our company is here to help with certified and trustworthy locksmith services designed to fit your needs.

Locksmith Orlando | Locksmith Unit

- **Address:** 3725 Conroy Rd, Orlando, FL 32839, United States
- **Phone:** [+1 407-267-5817](tel:+14072675817)
- **Hours:** Open 24 hours
- **Website:** locksmithunit.com
- **Contact Us:** [Contact Locksmith Unit Orlando, FL](#)
- **About Us:** [About Locksmith Unit Orlando, FL](#)

Connect with us

- **Google Business Profile:** [Locksmith Orlando](#) | [Locksmith Unit on Google Maps](#)
- **Facebook:** [Locksmith Orlando](#) | [Locksmith Unit on Facebook](#)
- **Instagram:** [Locksmith Orlando](#) | [Locksmith Unit on Instagram](#)
- **YouTube:** [Locksmith Orlando](#) | [Locksmith Unit on YouTube](#)
- **TikTok:** [Locksmith Orlando](#) | [Locksmith Unit on TikTok](#)
- **X (Twitter):** [Locksmith Orlando](#) | [Locksmith Unit on X \(Twitter\)](#)
- **LinkedIn:** [Locksmith Orlando](#) | [Locksmith Unit on LinkedIn](#)
- **Pinterest:** [Locksmith Orlando](#) | [Locksmith Unit on Pinterest](#)
- **Threads:** [Locksmith Orlando](#) | [Locksmith Unit on Threads](#)
- **Blogger:** [Locksmith Orlando](#) | [Locksmith Unit on Blogger](#)
- **Tumblr:** [Locksmith Orlando](#) | [Locksmith Unit on Tumblr](#)
- **Bluesky:** [Locksmith Orlando](#) | [Locksmith Unit on Bluesky](#)
- **Band:** [Locksmith Orlando](#) | [Locksmith Unit on Band](#)
- **VK:** [Locksmith Orlando](#) | [Locksmith Unit on VK](#)
- **Yelp:** [Locksmith Orlando](#) | [Locksmith Unit on Yelp](#)

Worldwide Brand Profiles

- **Medium:** [Locksmith Unit on Medium](#)
- **Instapaper:** [Locksmith Unit on Instapaper](#)
- **Diigo:** [Locksmith Unit on Diigo](#)

More Locksmith Services

- [Commercial Locksmith](#)
- [Residential Locksmith](#)
- [Automotive Locksmith](#)
- [Car Locksmith](#)
- [Vaults and Safes Locksmith](#)
- [Lock Change](#)