

If you are staring at a locked car or a lost fob and need help fast, this piece is written for exactly that moment. You will get a clear view of mobile locksmith workflows, realistic timeframes for car key replacement, and pointers for choosing a reliable car locksmith near me. Expect direct advice you can use the next time you search for locksmith near me or summon a 24 hour locksmith.



## What a mobile locksmith actually does

Mobile locksmiths commonly work out of vans stocked with key blanks, key cutters, diagnostic tools, and the programming devices needed for transponder fobs. Typical steps include verifying ownership, inspecting the lock hardware, cutting or cloning the key, and programming electronics if required. Bringing the tools to you is the main cost and convenience advantage mobile locksmiths offer compared with shop- or dealer-based solutions.

## Kinds of car keys and why that matters

A simple metal blade key costs much less than a smart key, and the locksmith methods differ substantially. Mechanical keys are straightforward: read the bitting or decode the lock, cut the blade, test the fit and the lock. Transponder keys require code reading or cloning and programming with an ECU or a diagnostic tool, so expect higher rates and 30 to 60 minutes of labor in many cases. For certain European and luxury models dealer authorization or specialist equipment may be required to fully program a proximity key.

## Price ranges to expect

Price depends on the key type, vehicle make, time of day, [emergency commercial locksmith](#) and whether you need emergency response. Nighttime, holidays, or emergency call-outs add an after-hours surcharge, which often ranges from 25 to 100 percent above daytime rates. The invoice usually lists labor, parts, and travel or emergency fees, and parts like OEM key heads or fob shells increase the parts line noticeably.

## Questions to ask during a call

A fast vetting process prevents surprises and keeps you away from shady operators. Reputable mobile locksmiths will ask for proof of ownership and provide a photo ID and a business card or vehicle markings before starting. If your car requires special programming ask directly whether the locksmith has the required diagnostic interface and software for your model.

## Documentation and positioning tips

Preparing proof of ownership and an accessible parking location reduces start-up time and helps the locksmith begin quickly. Sometimes a quick detour to retrieve a spare key is cheaper than paying for replacement, [locksmith](#) so check with family or housemates early. Watching enables you to verify the process and ask about warranty or follow-up service if the new key misbehaves.

# **Common problems and how technicians solve them**

A dead fob battery is the simplest fix, but a lost fob often requires cutting a new blade and programming a transponder chip or replacing the fob shell. Whenever possible, locksmiths prefer non-destructive entry and will only disassemble parts when necessary to preserve vehicle value. A good technician explains these limitations clearly and advises on the fastest path to restoring the vehicle.

## **Choosing between dealer and mobile locksmith**

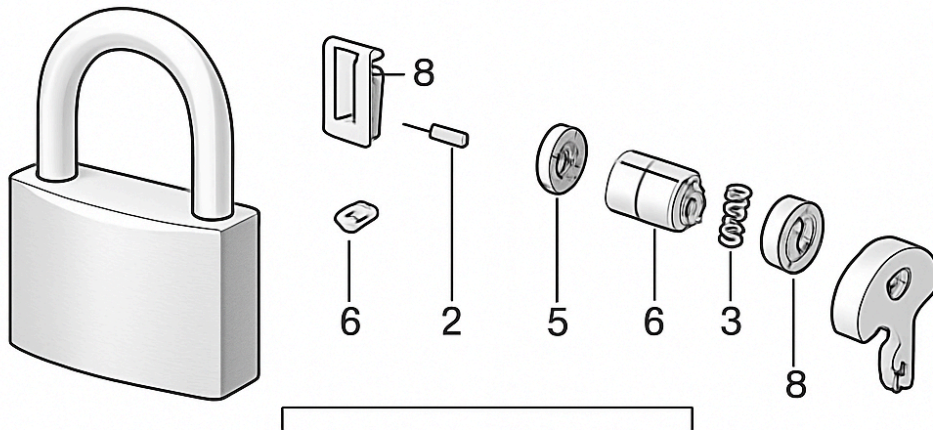
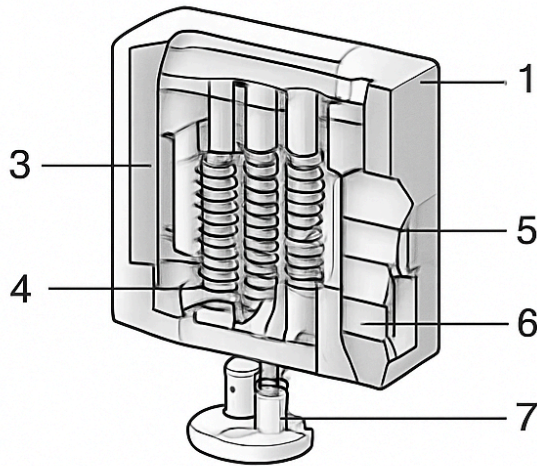
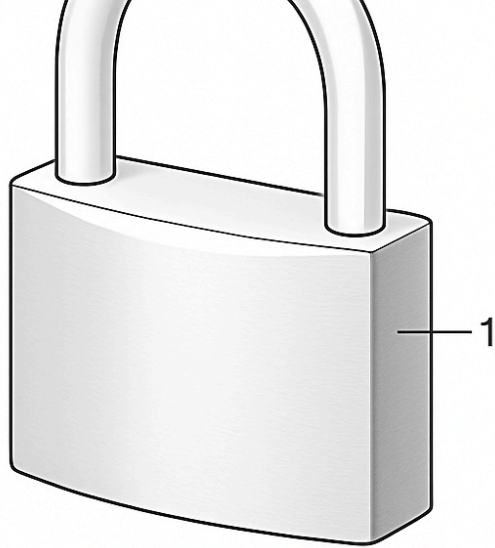
Independent mobile locksmiths can match dealer capability for many models at lower cost and without towing, but rare models may still require dealer tools. Manufacturers sometimes require dealer-installed keys to maintain certain warranties, and that is worth clarifying to avoid later disputes. A clear, written warranty and an itemized receipt are signs of a professional service.

## **Protecting yourself legally**

If you are renting a car or driving a company vehicle, have authorization documents ready to show the technician. If you have roadside assistance through an insurer or auto club, your program may include parts or labor discounts that reduce out-of-pocket costs. A bit of caution prevents misunderstandings and helps keep the interaction professional.

## **Prevention and simple investments**

A spare key stored safely with a trusted person is the single most effective way to avoid emergency replacement costs. Technology like subscription-based roadside assistance can also amortize the occasional locksmith bill into a manageable monthly cost. Proactive care and a simple spare save money and hassle over time.



## What to say, ask, and have ready

Have ID and vehicle registration ready, and give the locksmith a clear description of your car and the problem. Confirm whether the quoted price includes programming, parts, and any after-hours surcharge before work begins. If possible, arrange for a friend to retrieve a spare while you wait and stay in a well-lit public place if the situation requires privacy or safety.

## When to call back

Test the new key on the hood, door, trunk, and ignition before the locksmith leaves and ask about warranty terms in writing. If the key stops working within the warranty period contact the locksmith promptly and provide the receipt and a description of the failure. Most reputable companies will stand behind their work; persistent problems usually indicate either a missed step or a bad part that they will correct.

A well-chosen mobile locksmith can turn a frustrating lockout into a quick fix, and preparation plus basic vetting makes all the difference.

Locksmith in Orlando, Florida: If you're looking for a reliable locksmith in Orlando, FL, our company is here to help with certified and trustworthy locksmith services designed to fit your needs.

## Locksmith Orlando | Locksmith Unit

- **Address:** 3725 Conroy Rd, Orlando, FL 32839, United States
- **Phone:** [+1 407-267-5817](tel:+14072675817)
- **Hours:** Open 24 hours
- **Website:** [locksmithunit.com](http://locksmithunit.com)
- **Contact Us:** [Contact Locksmith Unit Orlando, FL](#)
- **About Us:** [About Locksmith Unit Orlando, FL](#)

## Connect with us

- **Google Business Profile:** [Locksmith Orlando | Locksmith Unit on Google Maps](#)
- **Facebook:** [Locksmith Orlando | Locksmith Unit on Facebook](#)
- **Instagram:** [Locksmith Orlando | Locksmith Unit on Instagram](#)
- **YouTube:** [Locksmith Orlando | Locksmith Unit on YouTube](#)
- **TikTok:** [Locksmith Orlando | Locksmith Unit on TikTok](#)
- **X (Twitter):** [Locksmith Orlando | Locksmith Unit on X \(Twitter\)](#)
- **LinkedIn:** [Locksmith Orlando | Locksmith Unit on LinkedIn](#)
- **Pinterest:** [Locksmith Orlando | Locksmith Unit on Pinterest](#)
- **Threads:** [Locksmith Orlando | Locksmith Unit on Threads](#)
- **Blogger:** [Locksmith Orlando | Locksmith Unit on Blogger](#)
- **Tumblr:** [Locksmith Orlando | Locksmith Unit on Tumblr](#)
- **Bluesky:** [Locksmith Orlando | Locksmith Unit on Bluesky](#)
- **Band:** [Locksmith Orlando | Locksmith Unit on Band](#)
- **VK:** [Locksmith Orlando | Locksmith Unit on VK](#)
- **Yelp:** [Locksmith Orlando | Locksmith Unit on Yelp](#)

## Worldwide Brand Profiles

- **Medium:** [Locksmith Unit on Medium](#)
- **Instapaper:** [Locksmith Unit on Instapaper](#)
- **Diigo:** [Locksmith Unit on Diigo](#)

## More Locksmith Services

- [Commercial Locksmith](#)
- [Residential Locksmith](#)
- [Automotive Locksmith](#)
- [Car Locksmith](#)
- [Vaults and Safes Locksmith](#)
- [Lock Change](#)